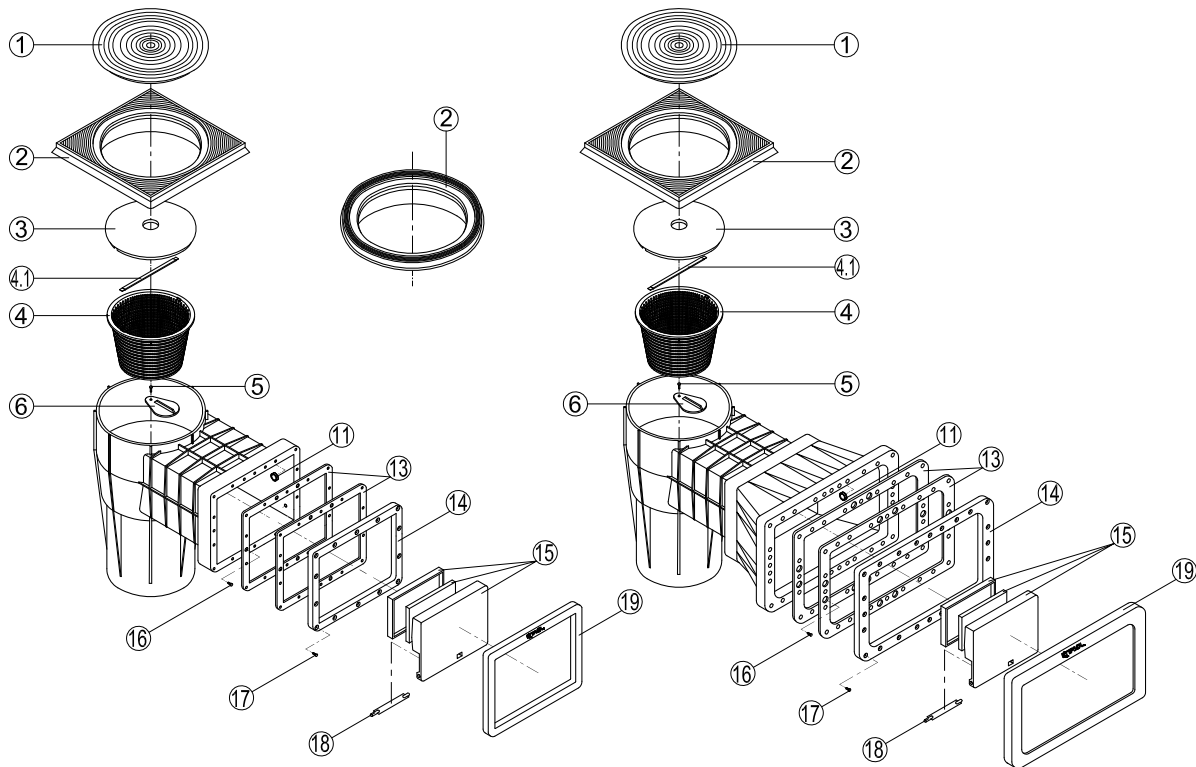


LINER SKIMMERS / SKSL(I)-SRSL(I)-SKAL(I)-SRAL(I) MODELS



Nº	REFERENCIA	DESCRIPCIÓN	UDS. CAJA
No.	PART No.	DESCRIPTION	QTY. BOX
1	RSKI0001.00R	Tapa circular / Circular lid	1
2	RSKI0002.00R	Marco cuadrado / Square frame	1
2	RSKI0002.01R	Marco circular / Circular frame	1
3	RSKI0003.00R	Tapa cestillo / Basket lid	1
4 + 4.1	RSKI0004.00R	Cestillo y asa / Basket and handle	1
4.1	RSKI0004.01R	Asa cestillo / Basket handle	5
5 + 6	RSKI0056.00R	Tapeta giratoria / Rotating cover	5
11	RSKI0011.00R	Tope / Buffer	5
13	RSKI0013.00R	Kit juntas SKSL-SRSL / Gasket kit SKSL-SRSL	2
13	RSKI0013.01R	Kit juntas SKAL-SRAL / Gasket kit SKAL-SRAL	2
14	RSKI0014.00R	Marco interior SKAL-SRAL / Interior frame SKAL-SRAL	1
14	RSKI0014.01R	Marco interior SKSL-SRSL / Interior frame SKSL-SRSL	1
15	RSKI0015.00R	Tapa abatible / Lowerable lid	1
15	RSKI0015.01R	Tapa abatible antigua / Lowerable lid (old)	1
16	RSKI0016.00R	Kit tornillería SKSL-SRSL / Hardware kit SKSL-SRSL	6
17	RSKI0016.01R	Kit tornillería SKSLI-SRSLI / Hardware kit SKSLI-SRSLI	14
16	RSKI0016.02R	Kit tornillería SKAL-SRAL / Hardware kit SKAL-SRAL	6
17	RSKI0016.03R	Kit tornillería SKALI-SRALI / Hardware kit SKALI-SRALI	8
16	RSKI0016.03R	Kit tornillería SKALI-SRALI / Hardware kit SKALI-SRALI	24
18	RSKI0018.00R	Bisagra / Hinge	8
19	RSKI0019.00R	Marco embellecedor SKA-SRA / Frame SKA-SRA	10
19	RSKI0019.01R	Marco embellecedor SKSL-SRSL / Frame SKSL-SRSL	1