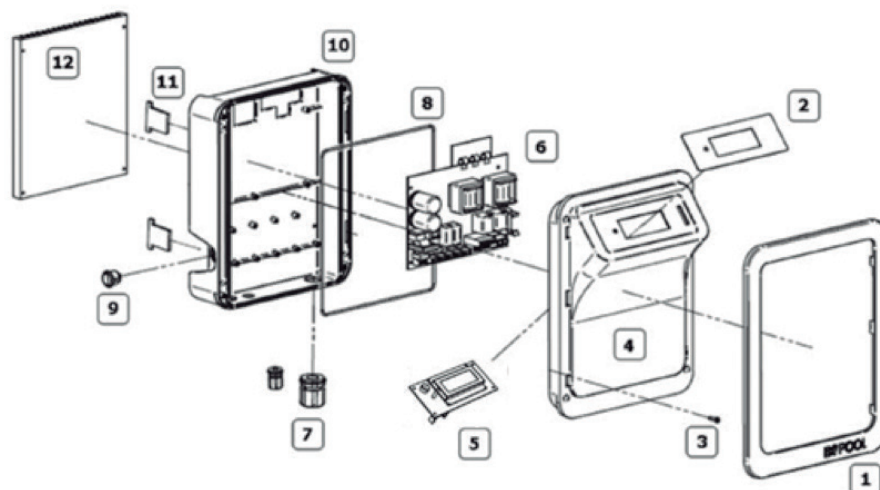


EVOBASIC₁₀, EVOBASIC₁₅, EVOBASIC₂₀, EVOBASIC₂₅, EVOBASIC₃₅



	Referencia Reference	Descripción Description	Observaciones Notes
1	EV02-EM-NA	Embellecedor / Fram	✓
2	TECLADO-EVo	Teclado / Keyboard	✓
3	CL8iZ	Tornillos tapa / Cover screws	✓
4	EV0 2-TAPA-N	Tapa / Cover	✓
5	P906-7	Placa de control / Control board	✓
6	P927-4	Placa de potencia / Power board	EVOBASIC ₁₀ , EVOBASIC ₁₅
6a	P950-3	Placa de potencia / Power board	EVOBASIC ₂₀ , EVOBASIC ₂₅
6b	P953-2	Placa de potencia / Power board	EVOBASIC ₃₅
7	M25JSL-N	Prensaestopas / Compression gland	✓
7a	M20JSL-N	Prensaestopas / Compression gland	✓
8	JUNTA 01	Junta / Waterproof seal	✓
9	R13112AAA	Interruptor / Switch	✓
9a	F0188LOAAA	Protector de interruptor / Switch protector	✓
10	EV0-BASE-N	Base caja EVo / EVo base box	✓
11	BISAGRA-GOMA	Bisagra / Hinge strap	✓
12	KPA200/228/EVo	Radiador / Heatsink	EVOBASIC ₁₀ , EVOBASIC ₁₅
12a	KK200/233/M/K-EVo	Radiador / Heatsink	EVOBASIC ₂₀ , EVOBASIC ₂₅
12b	KK200/270/M/K-EVo	Radiador / Heatsink	EVOBASIC ₃₅